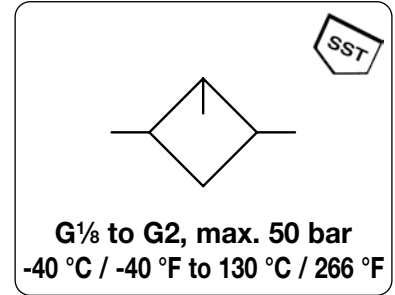


LUBRICATOR MADE OF STAINLESS STEEL THROUGHOUT, UP TO 50 BAR

L3000

Description	Lubricator for compressed air with bowl without sight glass, extremely robust, with manual adjustment of oil drip rate.
Bowl	stainless steel version without sight glass
Operating pressure	max. 50 bar
Temperature range	0 °C to 80 °C / 32 °F to 176 °F for NBR/Buna-N, 0 °C to 130 °C / 32 °F to 266 °F for high temperature version for appropriately conditioned air down to -20 °C / -4 °F, or low temperature version down to -40°C / -40 °F
Material	Body: stainless steel 316L, material no. 1.4404 Bowl: stainless steel 316L, material no. 1.4404 Elastomer: FKM Inner valve: stainless steel 316L, material no. 1.4404



Dimensions			Bowl capacity l	Flow rate		Operating pressure max. bar	Connection thread G	Order number
A	B	C		m³/h*1	l/min*1			

Lubricator			operating pressure max. 50 bar				L3000	
40	124	80	0.04	45	750	50	G1/8	L3000-01
64	174	130	0.14	54	900	50	G1/4	L3000-02
				60	1000		G3/8	L3000-03
79	177	130	0.20	144	2400	50	G1/2	L3000-04
137	202	168	0.50	480	8000	50	G3/4	L3000-06
				480	8000		G1	L3000-08
241	202	168	0.50	480	8000	50	G1 1/4	L3000-10
				480	8000		G1 1/2	L3000-1A
171	278	218	1.00	720	12000	50	G1 1/2	L3000-12
				780	13000		G2	L3000-16



L3000-02/-03

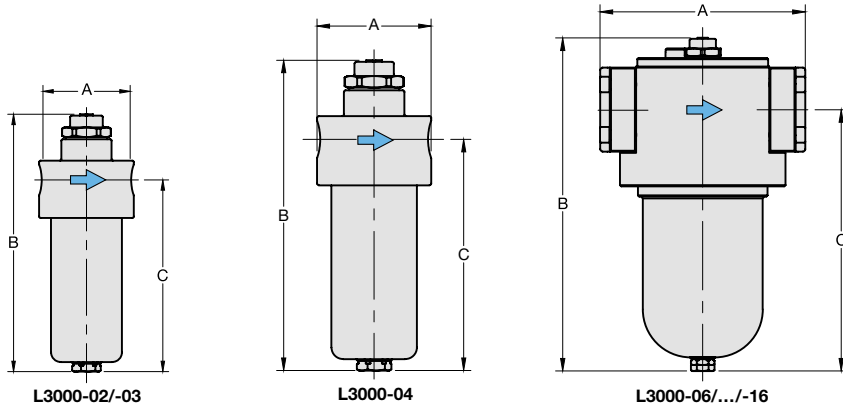
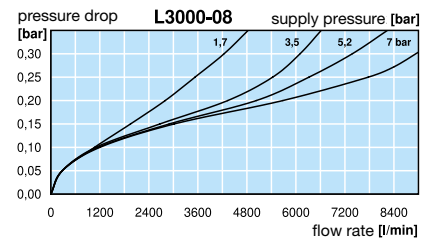
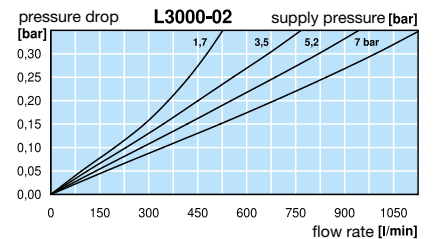
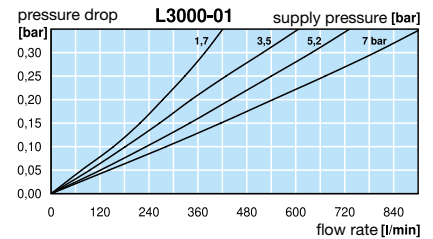


L3000-04



Special options, add the appropriate letter

NPT	connection thread	for G1/8 to G1/2	L3000-.. N
NPT	connection thread	for G3/8 to G1 1/2 (1A)	L3000-.. N
down to -40 °C / -40 °F	low temperature version	from G1/4 on	L3000-.. X51
up to 130 °C / 266 °F	high temperature version	from G1/4 on	L3000-.. X54
EPDM-O-Ring			L3000-.. E
flange connection	see end of the chapter / flanges		L3000-.. F.



*1 at 7 bar operating pressure and 0.33 bar pressure drop

Extensions: see chapter for FRL service units

PDF CAD
www.aircom.net

Order example:
L3000-01